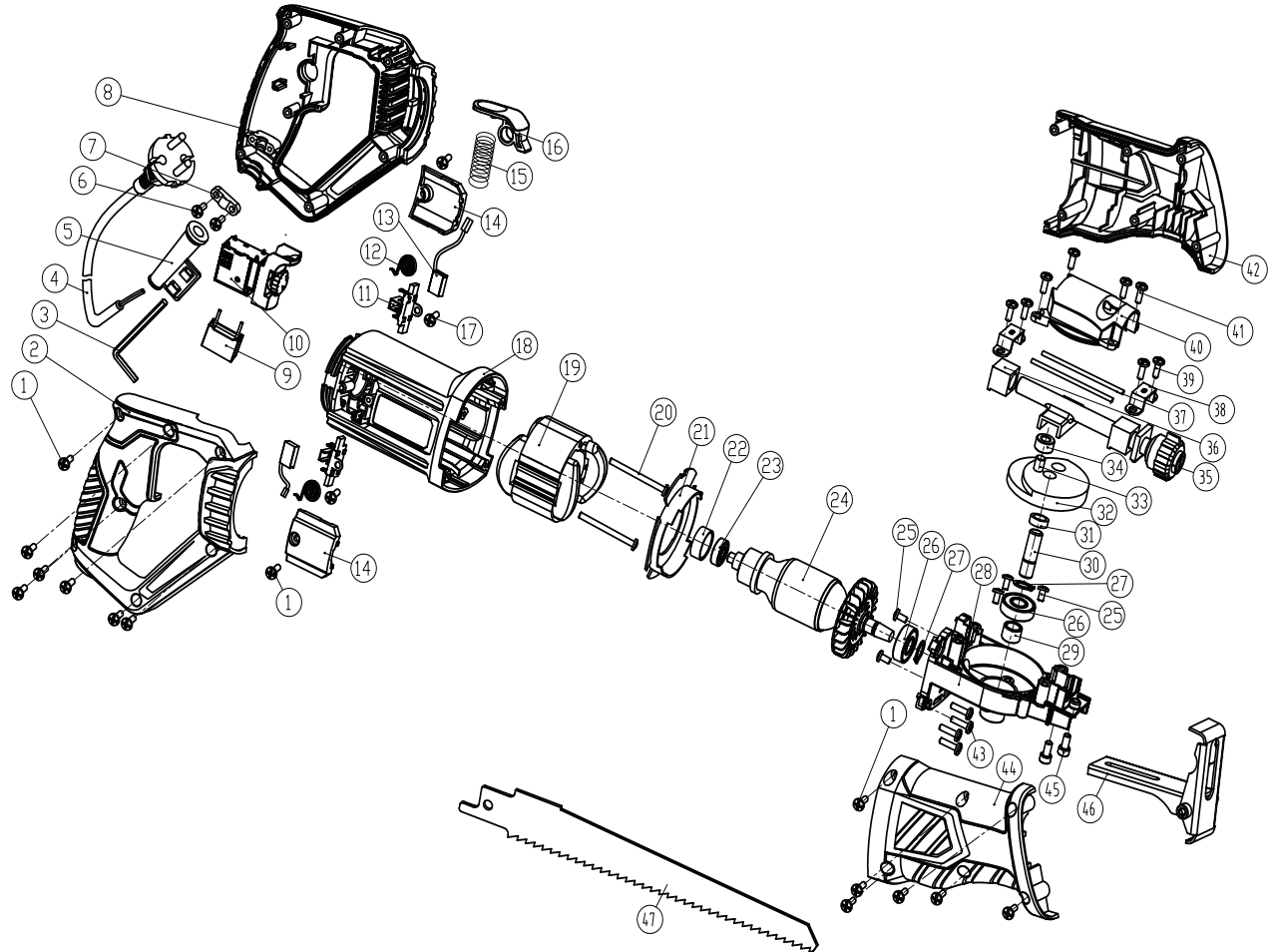


# Exploded drawing of Reciprocating Saw RD-RS35



## Spare parts list of Reciprocating Saw RD-RS35

NO.			Quantity	Name
1	T4×16	Q235	15	Cross pan head tapping screw ST4 × sixteen
2		PA6-GF30+TPE	1	Right handle
3			1	Allen wrench 4
4		H05VV-F 2×0.75mm <sup>2</sup>	1	Cable line
5		PVC	1	With M5 hexagon sheath
6	T4×14	Q235	2	Cross pan head tapping screw ST4 × fourteen
7		PA6-GF30	1	Cable pressing plate
8		PA6-GF30+TPE	1	Left handle
9	0.22uF		1	Two corner capacitance 0.22uF
10		4A	1	switch
11			2	Brush holder
12		65Mn	2	Coil spring
13	5.5×9×12.5		2	Carbon brush 5.5 × nine × twelve point five
14		PA6-GF30	2	Casing side cover
15		65Mn	1	Rotary button spring
16		PA6-GF30	1	Rotate button
17	ST4×10	Q235	2	Cross pan head tapping screw ST4 × ten
18		PA6-GF30	1	Casing
19			1	stator
20	ST4×45	Q235	2	Cross pan head tapping screw ST4 × forty-five
21		PA6-GF30	1	Wind deflector